

WESTERBEKE™ GASOLINE GENERATORS

Houseboat Series

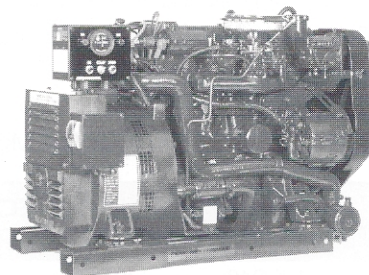
CONTINUOUS QUALITY POWER

The Westerbeke family of "Houseboat Generators" is powered by dependable four-cylinder engines for smooth and quiet operation. Their proven reliability with houseboat rental fleets has made Westerbeke gensets the "standard of the industry." These modern overhead cam engines operate at a slow 1800 RPM for long life and low maintenance. The unique Westerbeke Gasdenser™ insures an uninterrupted flow of gasoline to the engine in the high ambient temperatures typically found in generator compartments and engine rooms.

All Westerbeke gensets come with a 5-year limited warranty. As an added convenience, Westerbeke also offers Spare Parts Kits for routine maintenance or for a complete overhaul, available for each model generator we manufacture. Just ask your local distributor or dealer about these and many other available options. The Houseboat Series from Westerbeke: Continuous – Quality – Power.

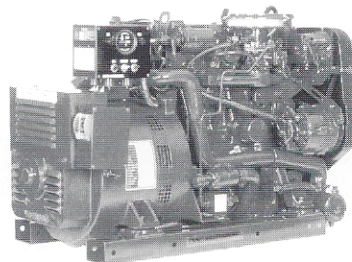
Standard Equipment and Special Features

- Fresh Water Cooling
- Belt Guard
- Oil Drain Hose
- Drip Tray
- Electric 12-Volt Lift Pump
- 50-Amp Battery Charging Alternator
- High Water Temp., Low Oil Pressure, Overspeed and High Exhaust Temp. Safety Shutdowns
- The Westerbeke-designed Gasdenser™ Anti-Vapor Lock Device
- 50 Hz or 60 Hz, Field Convertible
- Power Takeoff Interface
- A.C. Circuit Breaker Installed (Single Phase)
- Operator's Manual and Parts List
- Hourmeter
- One-Side Servicing
- Electronic Voltage Regulation (Standard on 20.0 BEG & 25.0 BEG) (Optional on 12.5 BTG and 15.0 BTG)
- Meets U.S.C.G. Regulation 33CFR-183



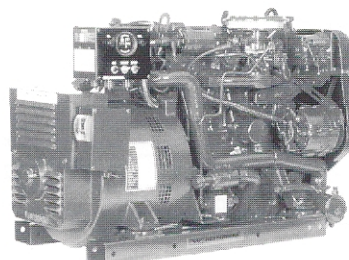
8.5 BTGA

8.5 BTGA Gasoline Generator
8.5 KW 120-120/240 Volts, Single Phase, 60 Hertz
6.8 KW 230 Volts, Single Phase, 50 Hertz



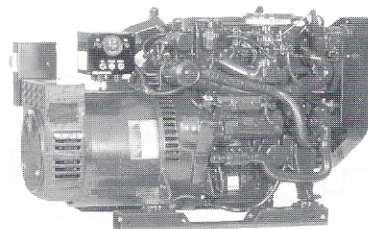
12.5 BTG

12.5 BTG Gasoline Generator
12.5 KW 120-120/240 Volts, Single Phase, 60 Hertz
10.0 KW 230 Volts, Single Phase, 50 Hertz



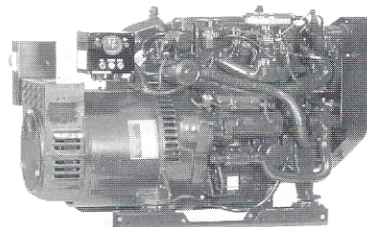
15.0 BTG

15.0 BTG Gasoline Generator
15.0 KW 120-120/240 Volts, Single Phase, 60 Hertz
12.0 KW 230 Volts, Single Phase, 50 Hertz



20.0 BEG

20.0 BEG Gasoline Generator
20.0 KW 120-120/240 Volts, Single Phase, 60 Hertz
16.0 KW 230 Volts, Single Phase, 50 Hertz



25.0 BEG

25.0 BEG Gasoline Generator
25.0 KW 120-120/240 Volts, Single Phase, 60 Hertz
20.0 KW 230 Volts, Single Phase, 50 Hertz

WESTERBEKE
Gasoline Generators
Houseboat Series

Generator Design

DESIGN: Brushless, four pole, revolving field, power takeoff
VOLTAGE REGULATION: Standard +/-5% no load to full load, 20BEG & 25.0BEG Standard +/-2%
FREQUENCY REGULATION: 3 Hz (5%) no load to full load
INSULATION: Class "F" as defined by NEMA MGI – 1.66

TEMPERATURE RISE: Within NEMA MGI.22.40 operating at full load

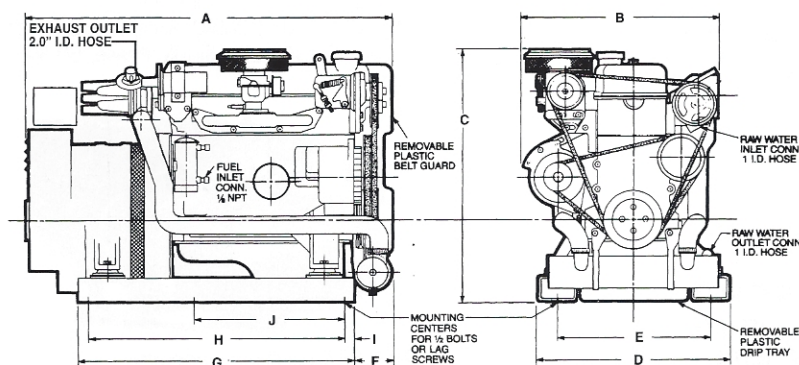
COOLING: Cast Centrifugal Blower, Direct connected

ELECTROMAGNETIC INTERFERENCE LEVEL: Exceeds requirements for most marine radio-telephones and standard TVs.

Model Number	ELECTRICAL CHARACTERISTICS					RATINGS		ENGINE
	Volts	Amps	Hertz	Phase	Wire	P.F.	KW	RPM
8.5BTGA*	120/240	70/35	60	1	4	1.0	8.5	1800
12.5BTG*	120/240	104/52	60	1	4	1.0	12.5	1800
15.0BTG*	120/240	124/62	60	1	4	1.0	15.0	1800
20.0BEG*	120/240	166/83	60	1	4	1.0	20.0	1800
25.0BEG*	120/240	208/104	60	1	4	1.0	25.0	1800

*adjustable to 50 or 60 Hz

SPECIFICATIONS	MODEL				
	8.5BTGA	12.5BTG	15.0BTG	20.0BEG	25.0BEG
Number of Cylinders	4	4	4	4	4
Type	4 Cycle	4 Cycle	4 Cycle	4 Cycle	4 Cycle
Displacement – Cubic Inches	79.1	79.1	90.9	133.3	133.3
Cylinder Bore & Stroke – Inches	3.03x2.74	3.03x2.74	3.03x3.15	3.38x3.70	3.38x3.70
Horsepower at 1800 RPM	27.0	27.0	27.0	38.0	38.0
Exhaust Elbow Connection – Inches	2	2	2	2	2
Raw Water Connection – Inches	1	1	1	1	1
Cooling System Capacity – Quarts	5	5	7	9	9
Lube Oil Capacity – Quarts	3.9	3.9	3.9	4.5	4.5
Charging Alternator – Amps	50	50	50	50	50
Cold Cranking Amps – Amps	200	200	200	250	250
Electrical System – Neg. Gnd. – Volts	12	12	12	12	12
Approx. Full Load Fuel Consumption – GPH	1.4	1.6	1.9	2.5	3.0



Optional Equipment

- Remote Stop-Start Panel
- Remote Engine Instrument Panel
- Ship-Shore Transfer Switch
- Hydro-Hush Muffler
- Anti-siphon-Valve
- Technical Manual
- "A" & "B" On-board Spare Parts Kits

Model Number	Dry Weight	DIMENSIONS – INCHES									
		A	B	C	D	E	F	G	H	I	J
8.5BTGA	513 lbs	32.0	21.0	24.6	18.0	14.4	4.5	27.5	20.3	4.1	10.2
12.5BTG	533 lbs	35.1	21.0	24.6	18.0	14.4	4.5	27.5	20.3	4.1	10.2
15.0BTG	560 lbs	35.1	21.0	24.6	18.0	14.4	4.5	27.5	20.3	4.1	10.2
20.0BEG	940 lbs	42.0	22.4	28.2	20.0	16.5	6.0	27.5	20.3	4.1	10.2
25.0BEG	968 lbs	42.0	22.4	28.2	20.0	16.5	6.0	27.5	20.3	4.1	10.2

Specifications subject to change without notice



Myles Standish Industrial Park
 150 John Hancock Road
 Taunton, MA 02780-7319
 Telephone: 508-823-7677
 Fax: 508-884-9688
 Internet: www.westerbeke.com